

## Toe-out, Front Wheels, Adjust



### Measure

With steering set in straight ahead position and using optical alignment measuring equipment. For dimensions refer to "Technical Data"



### Adjust

Toe-out if necessary:

Loosen locknuts (1) on both right and left tie rods. Always adjust both tie rods same amount to obtain setting. Tighten locknuts on both tie rods - **45 Nm**.



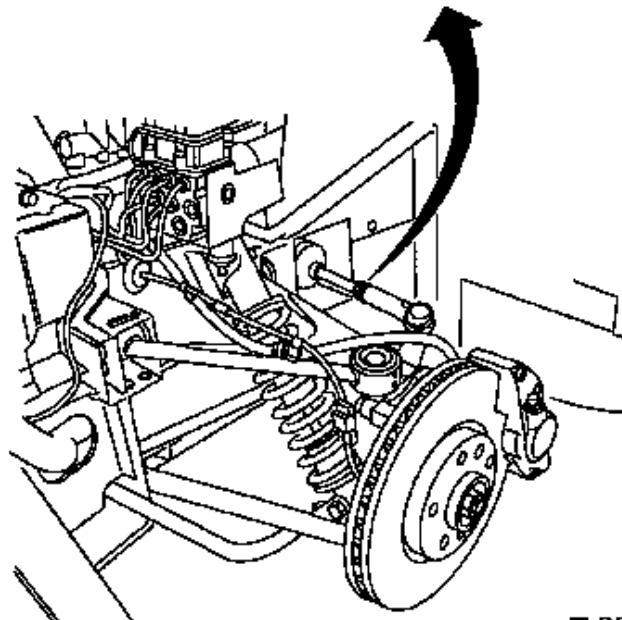
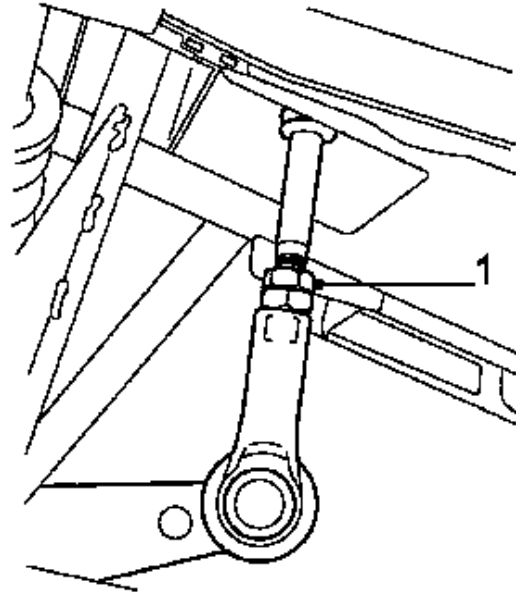
### Measure

Toe-out setting, final check.



### Adjust

Steering wheel to centre position (road test).



T 8991